

## Прекъсвач Schneider Electric мощностен автоматичен тип А-1 3P (3T), 100 A, 690 V, 2.5-12.5 kA, EasyPact EZC100N



### Main

Range of product	EasyPact
Product or component type	Circuit breaker
Device short name	Easypact
EZC100N Circuit breaker name	Easypact
EZC100N Device application	Distribution
Poles description	3P Protected poles description 3t
Network type	DC AC
Network frequency	50/60 Hz
[I <sub>n</sub> ] rated current	100 A at 40 °C
[U <sub>i</sub> ] rated insulation voltage	690 V AC 50/60 Hz conforming to IEC

60947-2 [Uimp] rated impulse withstand voltage 6 kV conforming to IEC 60947-2

[Ue] rated operational voltage 550 V AC 50/60 Hz conforming to IEC 60947-2  
250 V DC conforming to IEC 60947-2

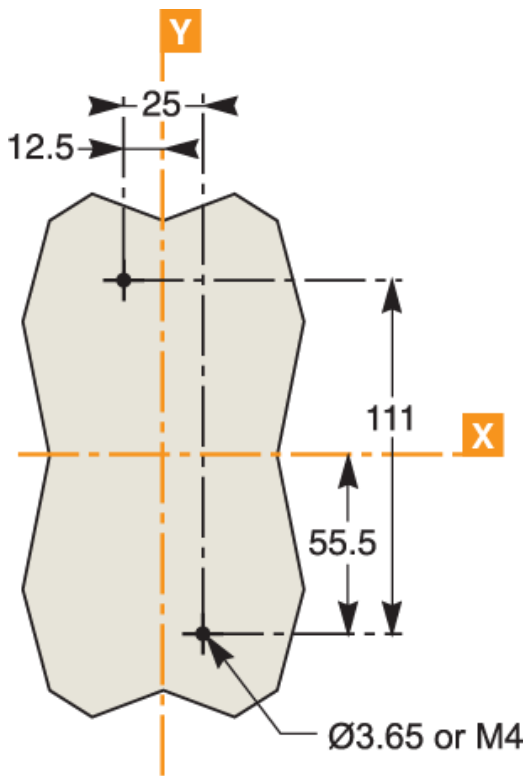
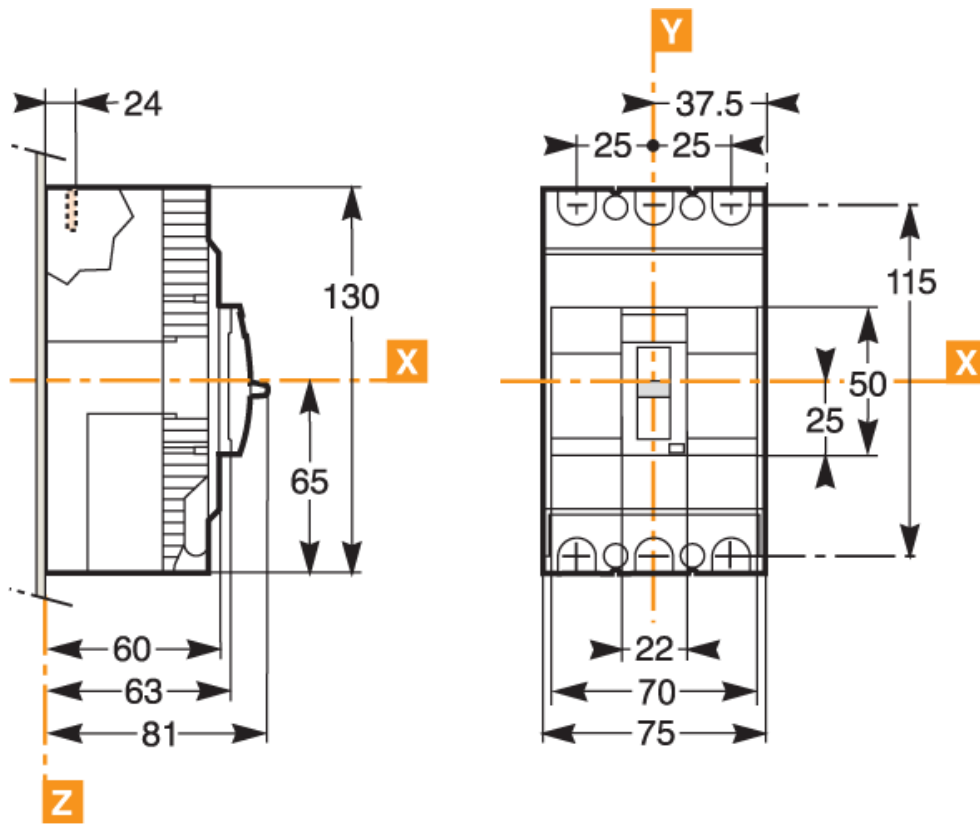
Breaking capacity code	N
Breaking capacity	10 kA Icu at 440 V AC 50/60 Hz conforming to IEC 60947-2 15 kA Icu at 400...415 V AC 50/60 Hz conforming to IEC 60947-2 18 kA Icu at 380 V AC 50/60 Hz conforming to IEC 60947-2 25 kA Icu at 110...130 V AC 50/60 Hz conforming to IEC 60947-2 25 kA Icu at 220...240 V AC 50/60 Hz conforming to IEC 60947-2 5 kA Icu at 125 V DC 1P conforming to IEC 60947-2 5 kA Icu at 250 V DC 2P conforming to IEC 60947-2 5 kA Icu at 550 V AC 50/60 Hz conforming to IEC 60947-2
[Ics] rated service breaking capacity	5 kA at 440 V AC 50/60 Hz conforming to IEC 60947-2 9 kA at 380 V AC 50/60 Hz conforming to IEC 60947-2 12.5 kA at 110/130 V AC 50/60 Hz conforming to IEC 60947-2 12.5 kA at 220/230/240 V AC 50/60 Hz conforming to IEC 60947-2 2.5 kA at 125 V DC conforming to IEC 60947-2 2.5 kA at 250 V DC conforming to IEC 60947-2 2.5 kA at 550 V AC 50/60 Hz conforming to IEC 60947-2

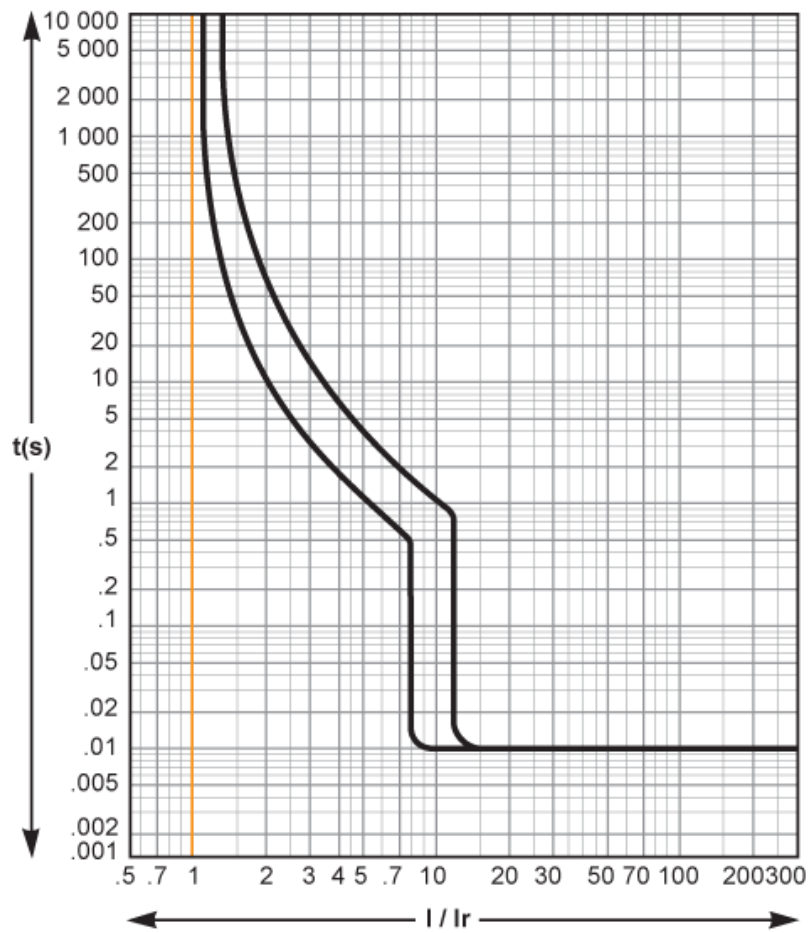
## Complementary

Control type	
	Tog
Mounting mode	
	Fix
Mounting support	
	Bac
Upside connection	
	Fro
Downside connection	
	Fro
Mechanical durability	
	850
0 cycles	
Electrical durability	Category A: 1500 cycles 415 V AC 50/60 Hz conforming to IEC 60947-2
Connection pitch	25 mm
Local signalling	Positive contact indication
Neutral protection setting	Without protection
Earth-leakage protection	Without Height 130 mm Width 75 mm Depth 60 mm

## Environment

Standards	EN/IEC 60947-1 GB/T 14048.2 EN/IEC 60947-2 JIS C8201-2-2
IP degree of protection	IP20 conforming to IEC 60529
IK degree of protection	IK07 conforming to IEC 62262
Ambient air temperature for operation	-25...70 °C Ambient air
temperature for storage	-35...85 °C





Продукт: [Прекъсвач Schneider Electric мощностен автоматичен тип А-1 3Р \(3Т\), 100 А, 690 V, 2.5-12.5 kA, Easyract EZC100N](#)  
 Категория: [Мощностни автоматични прекъсвачи](#)  
 Бранд: [Schneider Electric](#)  
 Категория бранд: [Прекъсвач Schneider Electric](#)